

# News Release

March 9, 2026

## **Notice Regarding the New Management of LOGISTEED Holdings, Ltd.**

LOGISTEED, Ltd. has announced the management structure of LOGISTEED Holdings, Ltd. effective April 1, 2026 as follows.

### 1. Members of the Directors and Titles effective April 1, 2026

Job Title	Name
Representative Director	Yasuo Nakatani
Outside Director	Mitsudo Urano
Outside Director	Tsukasa Namiki
Outside Director	Hirofumi Hirano
Outside Director	Eiji Yatagawa
Outside Director	Takeshi Watabe
Outside Director (Audit and Supervisory Committee Member)	Miho Aoki
Outside Director (Audit and Supervisory Committee Member)	Hideaki Miyauchi
Board Director (Audit and Supervisory Committee Member)	Akira Namatame

\*1 Listed in Japanese alphabetical order for each position

\*2 Appointments will be subject to approval at the Shareholders Meeting on April 1, 2026, and formal resolutions at the subsequent meeting of the Board of Directors.

### 2. Members of the Executive Officers and the Operating Officers Titles effective April 1, 2026

Job Title	Name
President and CEO	Yasuo Nakatani
Executive Vice President and Executive Officer	Kazuhiro Nishikawa

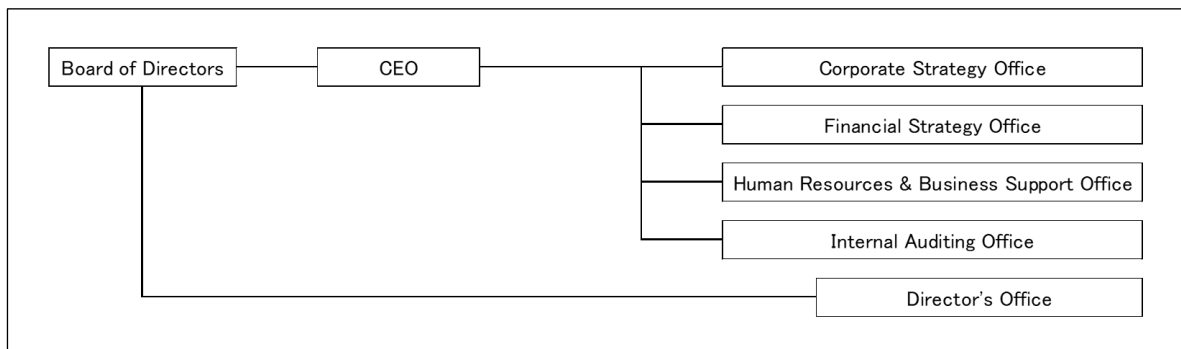
# News Release

Job Title	Name
Executive Vice President and Executive Officer	Nobukazu Hayashi
Executive Vice President and Executive Officer	Christopher Logan
Executive Officer, CHRO General Manager, Human Resources & Business Support Office	Tsukasa Kudo
Executive Officer, CSO and CPO General Manager, Corporate Strategy Office	Isao Takaoka
Executive Officer, CFO General Manager, Financial Strategy Office	Hideo Nakamoto
Operating Officer Deputy General Manager, Corporate Strategy Office	Kenichiro Ogawa

\*1 Listed in Japanese alphabetical order for each position

\*2 Concurrently serving in a position at LOGISTEED, Ltd.

### 3. Company Structure Diagram



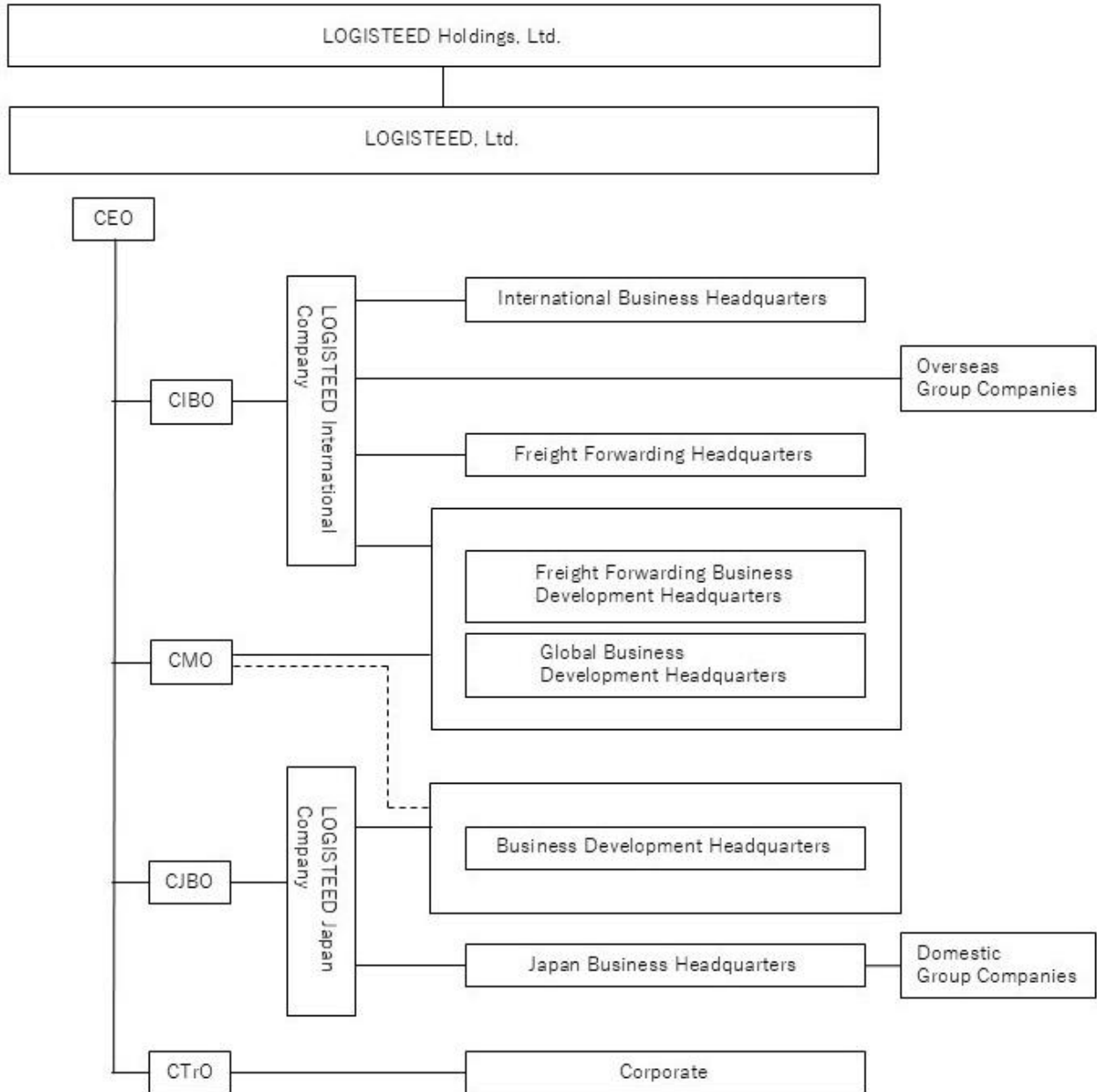
#### Notes on Abbreviations

CEO: Chief Executive Officer	CPO: Chief Procurement Officer
CHRO: Chief Human Resources Officer	CFO: Chief Financial Officer
CSO: Chief Strategy Officer	

End

# News Release

<References> Group Structure Diagram



### Notes on Abbreviations

CEO: Chief Executive Officer	CJBO: Chief Japan Business Officer
CIBO: Chief International Business Officer	CTrO: Chief Transformation Officer
CMO: Chief Marketing Officer	